

**Articulations and Movements
Honors Anatomy**

1. Bones comes together, or articulate, at _____.
2. List the 2 methods joints are classified by.

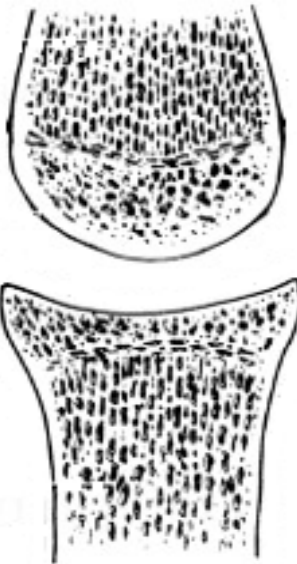
Match the term for degree of joint motion to its definition.

- | | |
|-------------------------|---------------------------|
| _____ 3. amphiarthrosis | A. freely movable joint |
| _____ 4. diarthrosis | B. nonmovable joint |
| _____ 5. synarthrosis | C. slightly movable joint |

Fill in the table by structurally classifying the following joints as either fibrous, cartilaginous, or synovial.



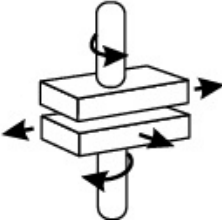

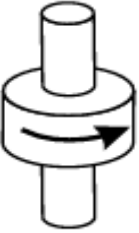
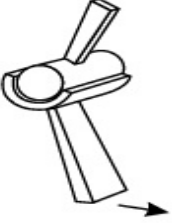
Name of Joint	Joint Classification
Pubic symphysis	
Knee	
Sagittal suture	
Wrist	
Vertebrae and intervertebral disks	
Sternal-costal (sternum and ribs) joint	
Shoulder	
Coronal suture	

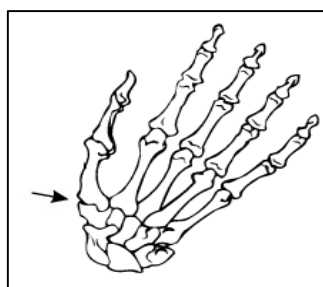
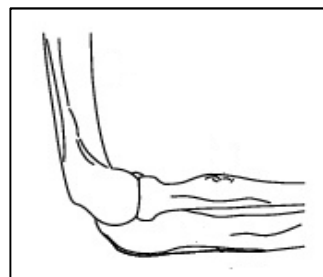
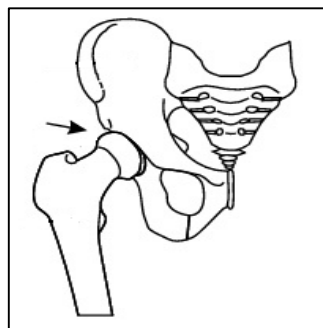
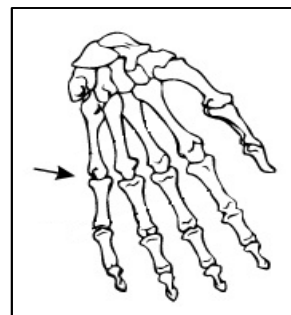
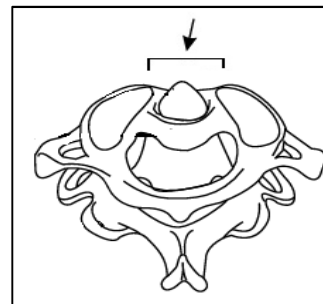
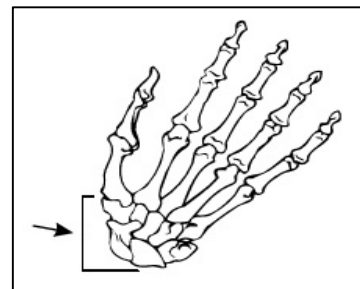
Using different colors and the list below, draw, color, and label the structures of a typical synovial joint.



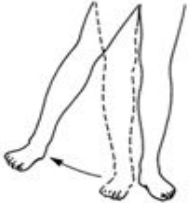
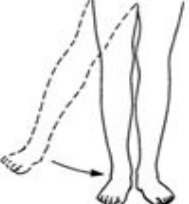



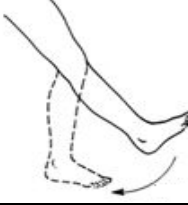



- | | |
|---|---|
| <input type="radio"/> Articular cartilage | <input type="radio"/> Ligaments |
| <input type="radio"/> Joint capsule | <input type="radio"/> Synovial membrane |
| <input type="radio"/> Joint cavity filled with synovial fluid | |

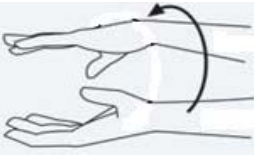

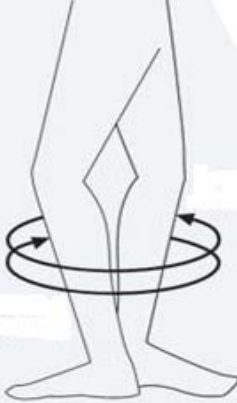
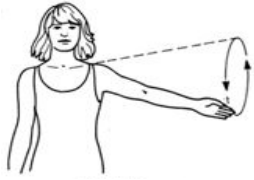
Given the illustrations of different types of synovial joints, fill in the table by classifying each synovial joint. Then by drawing lines, match the type of synovial joint with its location in the body.

	Type of Synovial Joint
	
	
	
	
	
	



Given the illustration of a synovial joint movement and the list below, label each illustration with the correct name of the movement.

		Movement
Movements in the Frontal Plane		
		
		
		
Movements in the Sagittal Plane		
		
		
		
		

		Movement
Movements in the Transverse Plane		
		
		
Movements in Multiple Planes		

1. Movement in the sagittal plane in which the joint angle is greater than 180° is called _____.
2. Turning the neck as if to gesture the expression "no" is an example of a _____.
3. All movements begin from the reference point called _____.